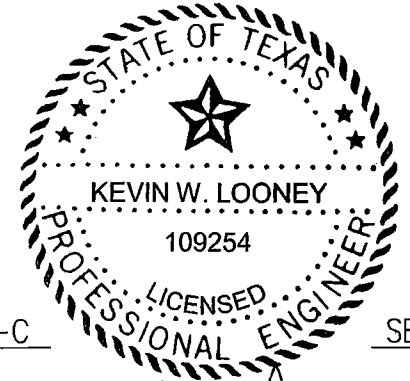
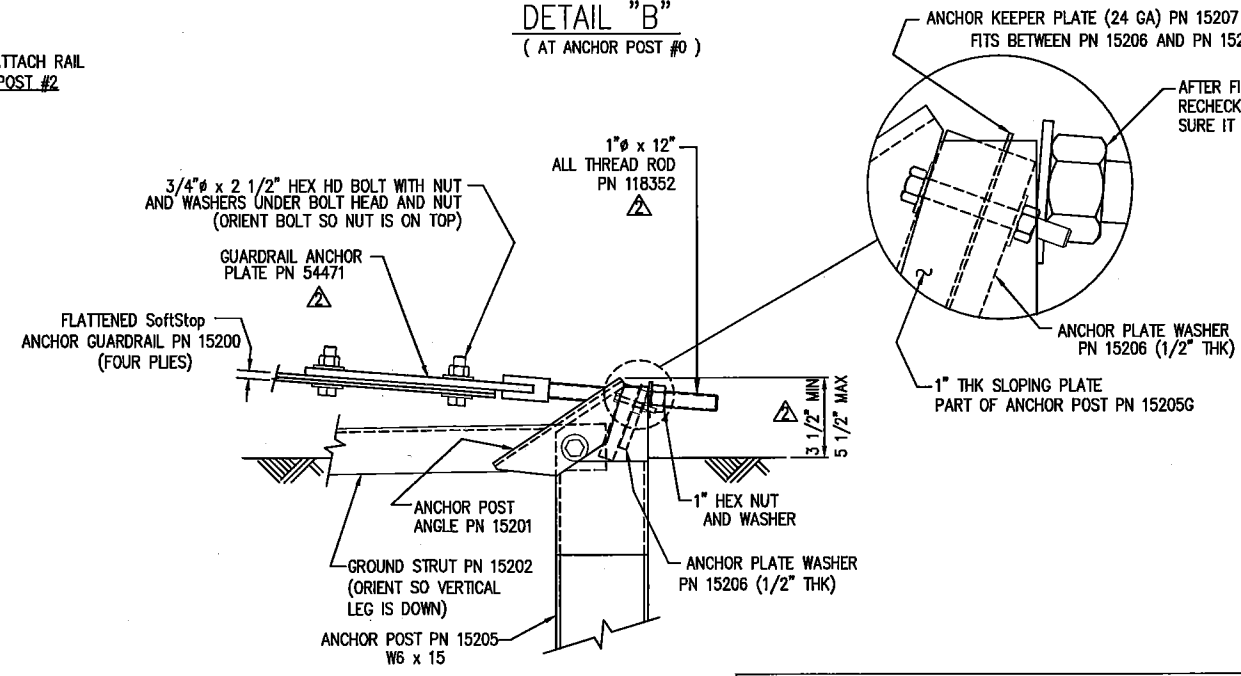
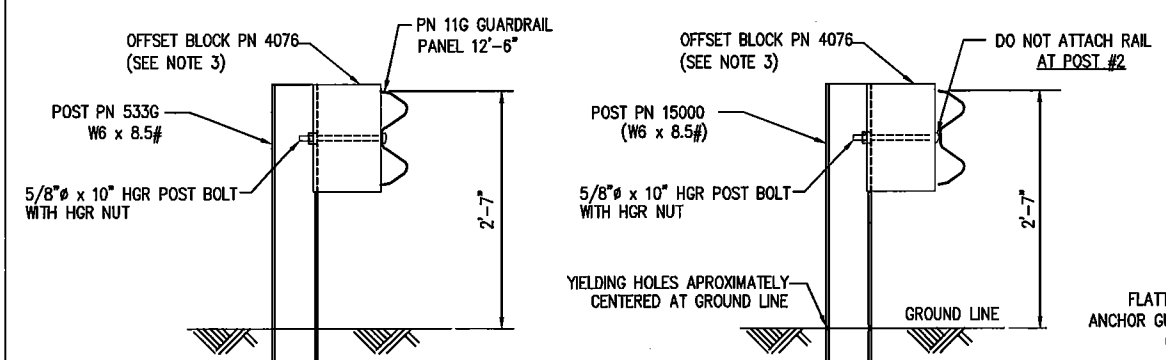
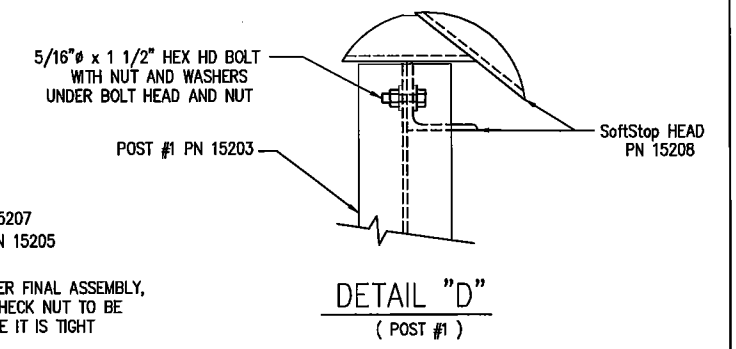
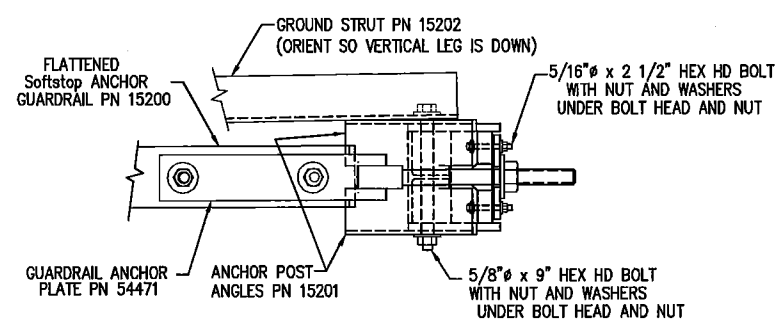
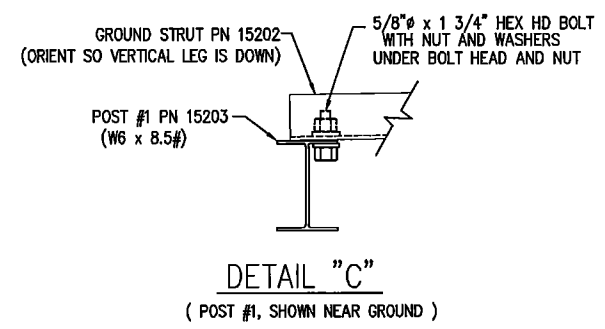


NOTE:
 INSTALL RAIL PARALLEL TO ROADWAY EDGE LINE.
 WHEN TAPER IS REQUIRED BY DESIGN ENGINEER
 A 25:1 TAPER OVER THE LENGTH OF THE SYSTEM
 IS ALLOWABLE.

BILL OF MATERIAL			
PART NUMBER	QTY	DESCRIPTION	
11G	3	12/12/6/3/1.5/S GUARDRAIL (12GA)	
15200G	1	SoftStop ANCHOR GUARDRAIL (12GA)	
15208A	1	SoftStop HEAD	
15203G	1	POST #1 4'-9 1/2" (SYTP)	
15000G	1	POST #2 6'-0" (SYTP)	
4076B	7	OFFSET BLOCK 6 x 8 x 14	
54471G	1	GUARDRAIL ANCHOR PLATE	
15205A	1	ANCHOR POST #0	
15201G	2	ANCHOR POST ANGLE 10" LG	
15207G	1	ANCHOR KEEPER PLATE (24 GA)	
15206G	1	ANCHOR PLATE WASHER (1/2" THK)	
15202G	1	GROUND STRUT x 4'-8 1/4"	
533G	6	POST #3-#8 6'-0"	
HARDWARE			GR
4902G	1	1" WASHER	F-436
3908G	1	1" HEX NUT	A563 DH
3717G	2	3/4" x 2 1/2" HEX HD BOLT	A-325
3701G	4	3/4" WASHER	F-436
3704G	2	3/4" HEX NUT	A563 DH
3360G	32	5/8" x 1 1/4" HGR SPLICE BOLT	A-307
3500G	7	5/8" x 10" HGR POST BOLT	A-307
3391G	1	5/8" x 1 3/4" HEX HD BOLT	A-325
4489G	1	5/8" x 9" HEX HD BOLT	A-325
4372G	4	5/8" WASHER	F-436
118352G	1	1" x 12" ALL THREAD ROD	A193 B7
3340G	41	5/8" HGR HEX NUT	A563 A
105285G	2	5/16" x 2 1/2" HEX HD BOLT	GR-5
105286G	1	5/16" x 1 1/2" HEX HD BOLT	GR-5
3240G	6	5/16" WASHER	
3245G	3	5/16" HEX NUT	A563 A

- NOTES:
- REFER TO SoftStop ASSEMBLY MANUAL
 - SoftStop IS A MASH TEST LEVEL 3 (TL-3) END TREATMENT.
 - 8" NOMINAL DEEP PLASTIC OFFSET BLOCKS (ROUTED) ARE ACCEPTABLE ALTERNATES.
 - MANUFACTURER SUGGESTS CUSTOMER TO PROVIDE REFLECTORIZATION OF THE TERMINAL.
 - 25' GUARDRAIL PANELS (12GA) ARE AN ACCEPTABLE ALTERNATE TO SHOWN 12'-6" PANELS.



REV.	CHK'D	BY	DATE	REMARKS
3	RT	BT	11/5/14	HEX NUT 3245G WAS 3244G, UPDATED PER ECO 3971
2	RT	BT/SS	6/5/14	ADDED NOTE 5, DIM @ DETAIL A, UPDATED HARDWARE & ANCHOR PLATE PER ECO #3889
1	BT	SSny	8/8/13	TAPER NOTE, STRUT AND 3/4" BOLT ORIENTATION ADDED

SoftStop

TRINITY SoftStop TERMINAL (8" BLOCKS)
 PLAN, ELEVATION & SECTION
 MASH TEST LEVEL 3 (TL-3)

TRINITY HIGHWAY PRODUCTS, LLC.
 2525 STEMMONS FREEWAY
 DALLAS, TX 75207

DRAWN	BT
CHECKED	BS
SCALE	N.T.S.
DATE	11/14/12
ENG. FILE #	SS 646-01E
SHT. No.	E1 OF 1
DRAWING NO.	SS 646
REV.	3

The drawings and the information shown thereon are copyrighted by Trinity Highway Products (2012) and the sole property of Trinity Highway Products. Neither the drawings nor such information is to be used for any purpose other than that which it was specifically furnished from Trinity Highway Products LLC, nor is any reproduction authorized without written permission.

Kevin Looney 11-11-14