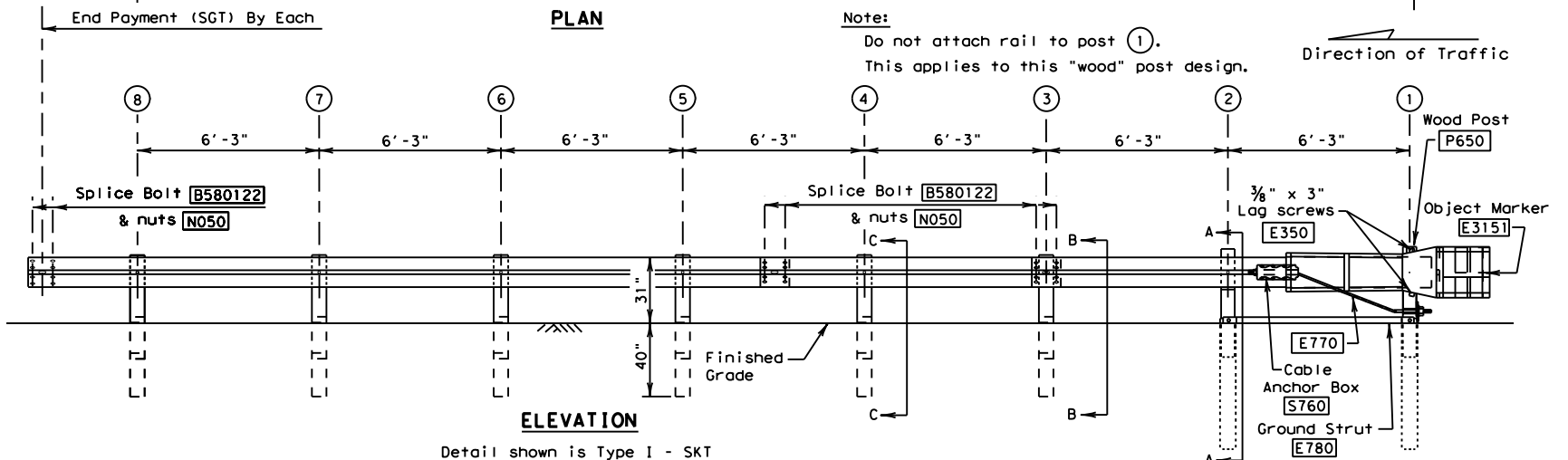
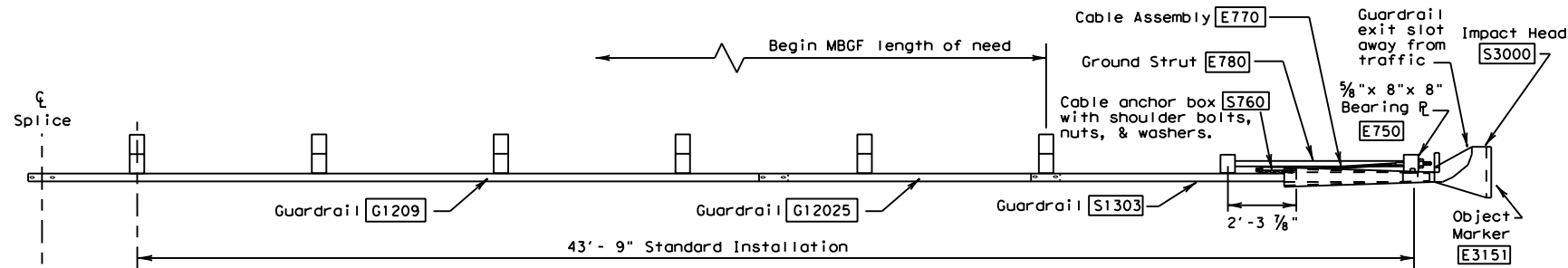
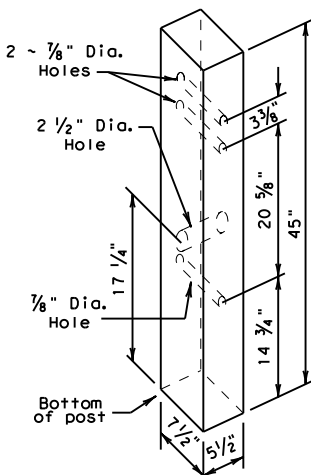
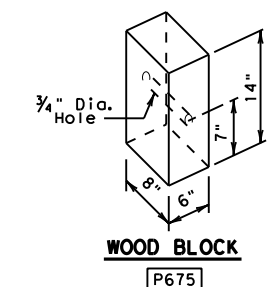
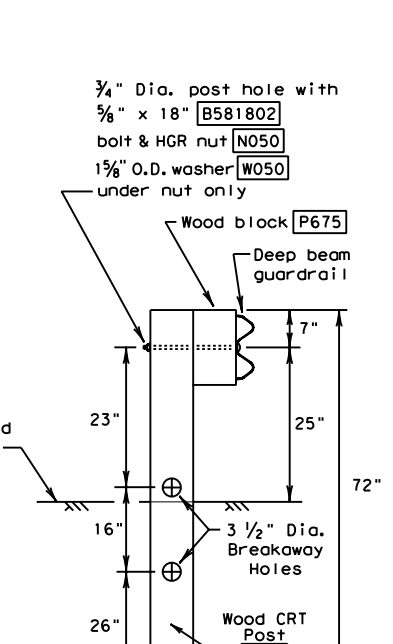
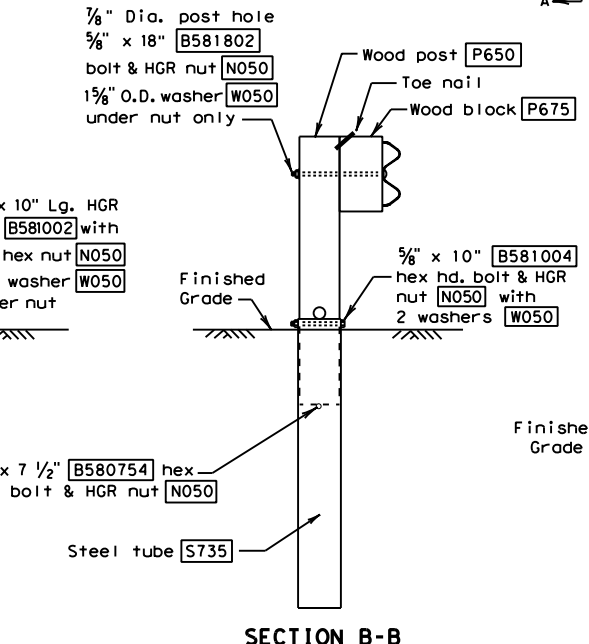
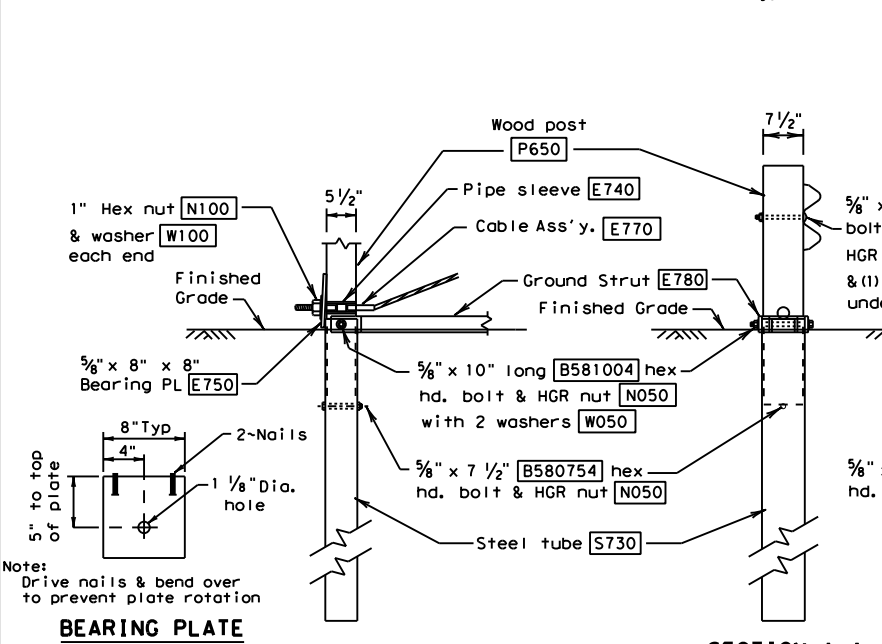


DISCLAIMER: The use of this standard is governed by the "Texas Engineering Practice Act". No warranty of any kind is made by TxDOT for any purpose whatsoever. TxDOT assumes no responsibility for the conversion of this standard to other formats or for incorrect results or damages resulting from its use.

DATE: FILE:



Detail shown is Type I - SKT



All measurements should be taken from bottom of posts.

UNIVERSAL WOOD POST
P650

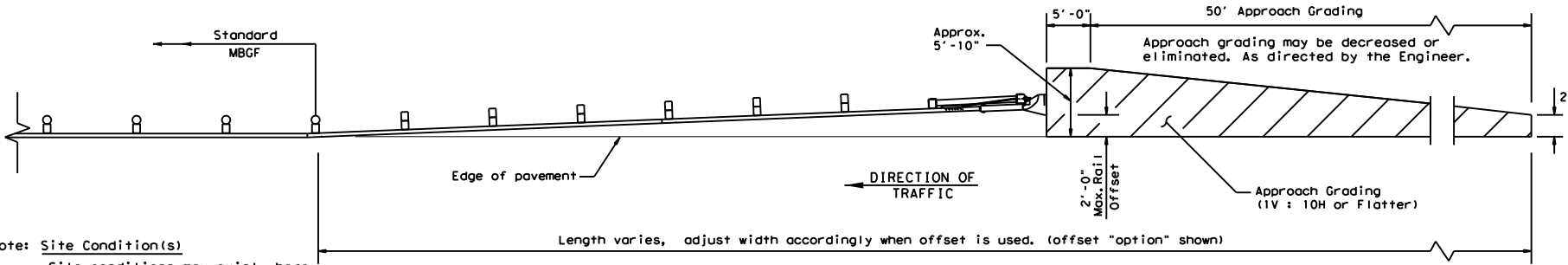
POST & TUBE OPTIONS	
Type I post	① thru ②
Type II post	① thru ④
Type III post	① thru ⑧

GENERAL NOTES

- For additional information contact: Interstate Steel Inc. (432) 263-3725
- The Type of SGT unit will be specified elsewhere in the plans. The numbers in the circles indicate post position. The Type of SGT unit chosen is a maintenance consideration and does not affect the systems performance.

Post & Tube Options		Post Only	
Type I Posts	① thru ②	Posts ③ thru ⑧	
Type II Posts	① thru ④	Posts ⑤ thru ⑧	
Type III Posts	① thru ⑧	None	
- SGT's placed within the "minimum" 150 ft. radius, shall be installed straight. Standard rail elements may be installed within the radius, without special fabrication.
- All bolts, nuts cable assemblies, cable anchors, steel tubes & bearing plates shall be galvanized.
- A flare rate of 25:1 may be used over the first 50 ft. of the system to prevent the terminal head from encroaching the shoulder. The flare may be decreased or eliminated for specific installations, if directed by the Engineer.
- The steel tubes shall not protrude more than 4 inches above ground. Site grading may be necessary to meet this requirement.
- The steel tubes may be driven with an approved driving head. They shall not be driven with the wood post in the tube. If the steel tubes are placed in drilled holes, the backfill material must be satisfactorily compacted to prevent tube settlement.
- If solid rock is encountered. See the Manufacturer's installation manual for the proper installation guidance.
- The breakaway cable assembly must be taut. A locking device, (vice grips or channel lock pliers) should be used to prevent the cable from twisting when tightening the nuts.
- The wood blocks shall be "toe nailed" to the rectangular wood posts to prevent them from turning when the wood shrinks. The bearing plate on the front post shall also be "toe nailed" to prevent rotation.
- For curb installations, the soil tubes and posts shall be installed at the proper ground elevation behind the curb. The posts will then require field drilling new holes to accommodate the rail to post connection bolt to maintain the proper height of the rail above the gutter pan. The excess post length above the rail will be removed if directed by the Engineer.
- An object marker shall be installed on the front of the impact head as detailed on D&OM(VIA).

Item #	POST & TUBE OPTIONS			DESCRIPTION
	Type I	Type II	Type III	
S1303	1	1	1	Guardrail (12 Ga.) 12' - 6" SKT
G12025	1	1	1	Guardrail (12 Ga.) 9' - 4 1/2"
G1209	1	1	1	Guardrail (12 Ga.) 25' - 0"
S730	2	2	2	Steel Tube - 6" x 8" x 72" x 1/8" min. or 3/16"
S735	0	2	6	Steel Tube - 6" x 8" x 54" x 1/8" min. or 3/16"
P650	2	4	8	Wood Posts - 5 1/2" x 7 1/2" x 45"
P671	6	4	0	Wood CRT Posts - 6" x 8" x 72"
P675	6	6	6	Wood Block - 6" x 8" x 14"
E740	1	1	1	Pipe Sleeve - 2" Std. Pipe x 5 1/2"
E750	1	1	1	Bearing Plate - 5/8" x 8" x 8"
S760	1	1	1	Cable Anchor Box
E770	1	1	1	Cable Assembly
E780	1	1	1	Ground Strut
S3000	1	1	1	Impact Head
HARDWARE				
B580754	2	4	8	5/8" x 7 1/2" Hex Hd. Bolt
B581004	2	4	8	5/8" x 10" Hex Hd. Bolt (Top of Tubes)
W050	11	15	23	3/8" Washers
B581002	1	1	1	5/8" x 10" HGR Post Bolt (Post 2)
B580122	16	16	16	5/8" x 1 1/4" HGR Splice Bolt
B581802	6	6	6	5/8" x 18" HGR Post Bolt (Posts ③ thru ⑧)
N050	35	39	47	3/8" HGR Nut (24-Spl, Varies-Posts, 2-Strut)
E350	2	2	2	3/8" x 3" Lag Screw
N100	2	2	2	1" Hex Nut (Anchor Cable)
W100	2	2	2	1" Washer (Anchor Cable)
SB12A	8	8	8	Cable Anchor Box Shoulder Bolts
N012A	8	8	8	1/2" Structural Nut
W012A	8	8	8	1/2" Structural Washer
E3151	1	1	1	Object Marker - (18" x 18")



APPROACH GRADING AT GUARDRAIL END TREATMENTS

Design Division Standard

SINGLE GUARDRAIL TERMINAL (SKT-31) (WOOD POST)

SGT (8) 31-14

FILE: sgt83114.dgn	DN: TxDOT	CK: AM	DW: BD/VP	CK: VP
© TxDOT December 2011	CONT	SECT	JOB	HIGHWAY
REVISIONS				
DIST	COUNTY		SHEET NO.	