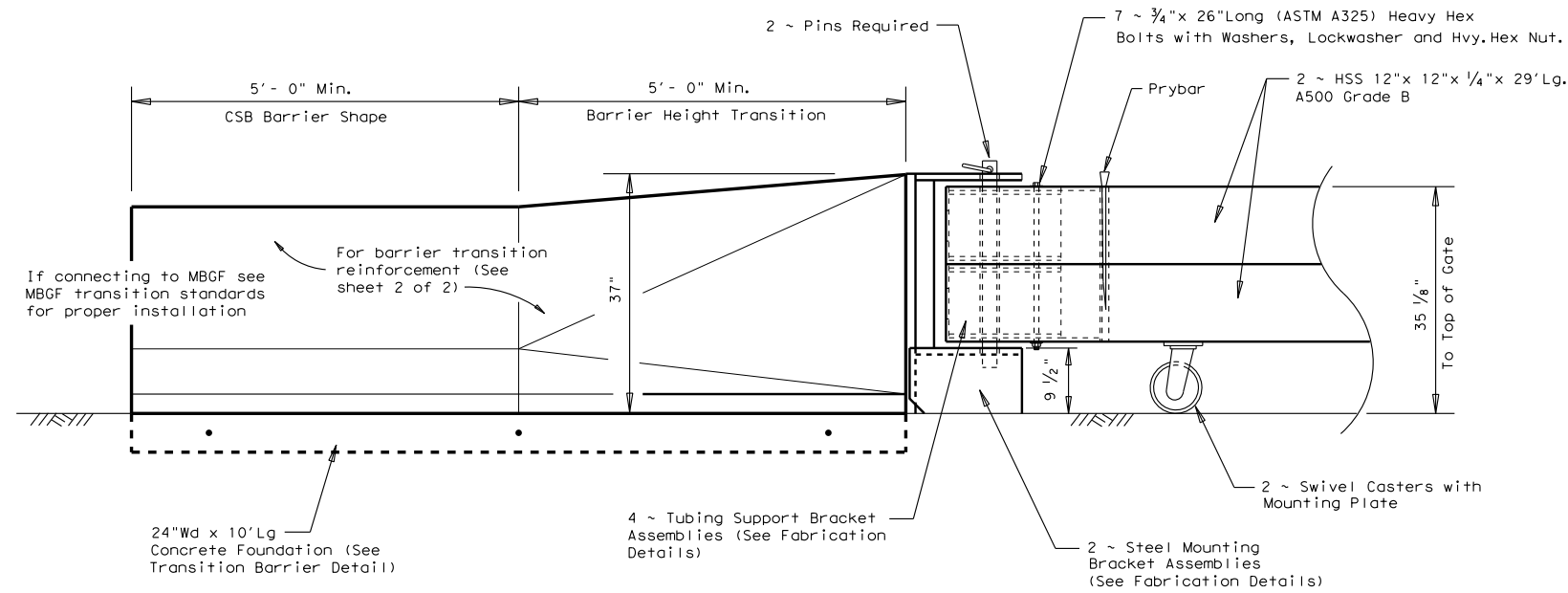
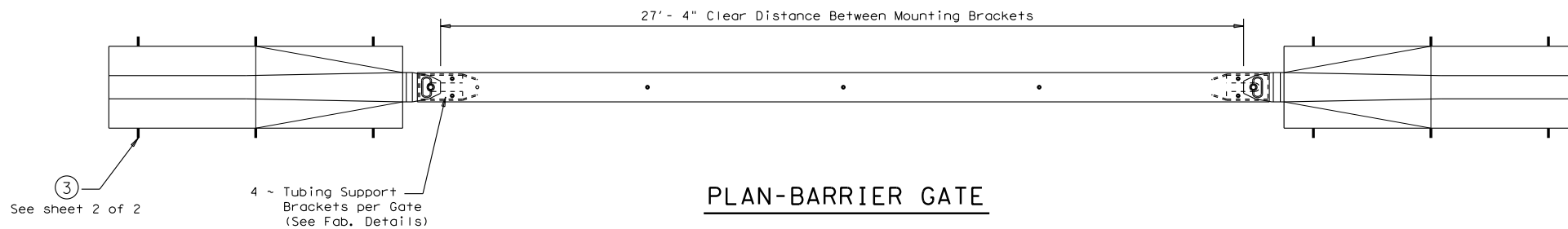
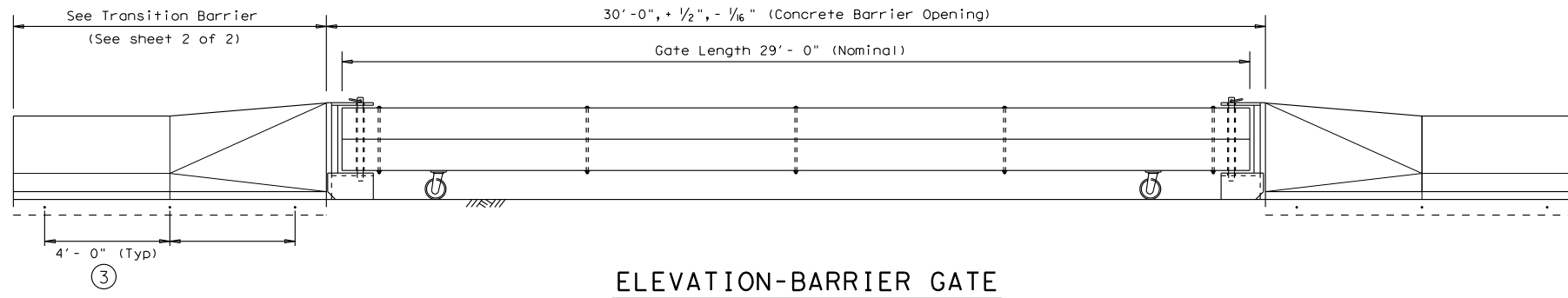


DISCLAIMER: The use of this standard is governed by the "Texas Engineering Practice Act". No warranty of any kind is made by TxDOT for any purpose whatsoever. TxDOT assumes no responsibility for the conversion of this standard to other formats or for incorrect results or damages resulting from its use.

DATE:
FILE:



BARRIER GATE
Showing typical end connection and required number of components for each gate installation. (See fabrication details for assembly)

GENERAL NOTES

1. Concrete shall be Class C, unless otherwise specified in the plans.
2. Where used, rebar reinforcement shall be Grade 60 and conform to ASTM A615.
3. All barrier edges shall have a 3/4" chamfer or tooled radius.
4. All concrete, reinforcement, joint connection systems, grout etc. as shown, are considered as part of the barrier payment.
5. All steel assemblies for the Barrier Gate shall be galvanized after fabrication in accordance with Item 445, "Galvanizing."
6. The steel mounting bracket is required as a forming bulkhead for the concrete transition barriers.

For steel gate assembly, steel mounting bracket welding requirements, and the required hardware, see "Barrier Gate (Fabrication Details)" at TxDOT CAD Standard Plans Files, Roadway Standards, Design Guidelines.

QTY	STEEL GATE MATERIAL LIST
2	Steel Mounting Bracket Assembly
4	Headed Studs 5/8" x 6" (min)
4	Tubing Support Bracket Assembly
2	HSS 12" x 12" x 1/4" x 29' Long
2	Swivel Casters Wheels
2	Pin Assemblies (A36)
1	Prybar
7	3/4" x 26" Lg (ASTM A325) Heavy Hex Bolts with 2 Washers, 1 Lockwasher and Heavy Hex Nut

SHEET 1 OF 2



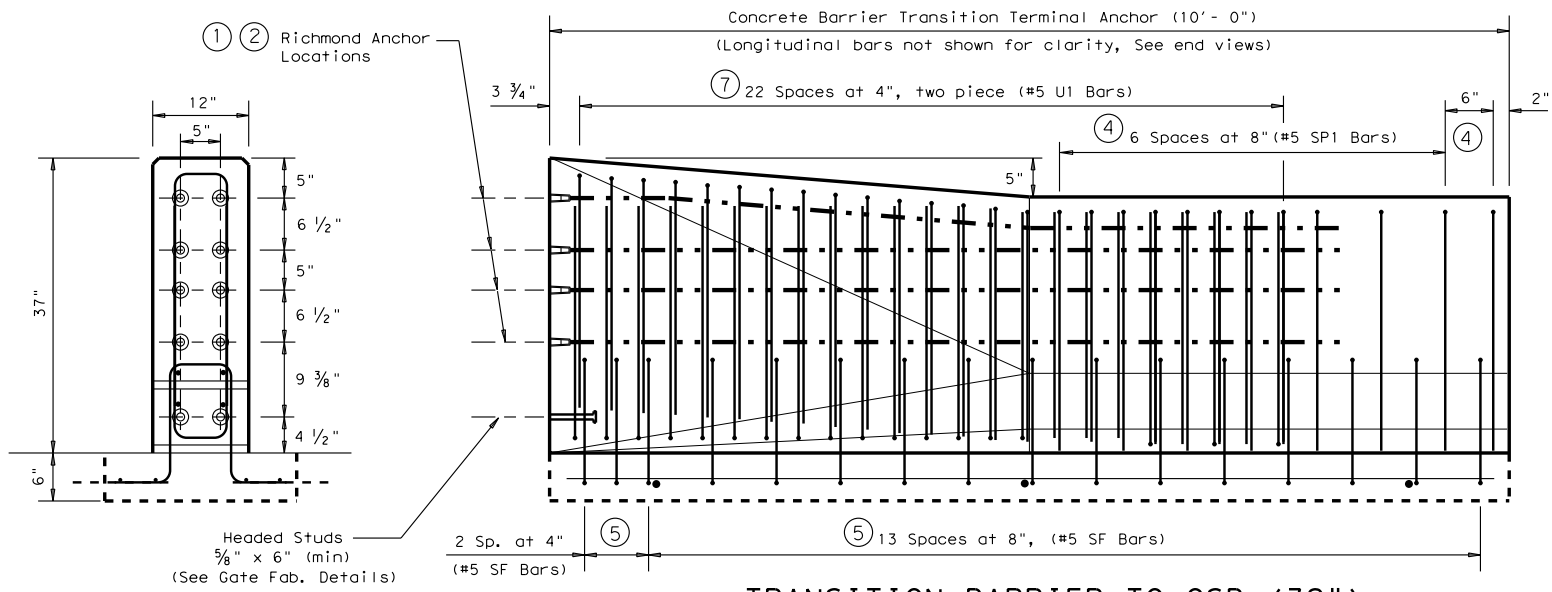
BARRIER GATE

BG-11

FILE: bg11.dgn	DN: TxDOT	CK: AM	DW: BD	CK:
© TxDOT April 2011	CONT	SECT	JOB	HIGHWAY
REVISIONS				
	DIST	COUNTY		SHEET NO.

DISCLAIMER: The use of this standard is governed by the "Texas Engineering Practice Act". No warranty of any kind is made by TxDOT for any purpose whatsoever. TxDOT assumes no responsibility for the conversion of this standard to other formats or for incorrect results or damages resulting from its use.

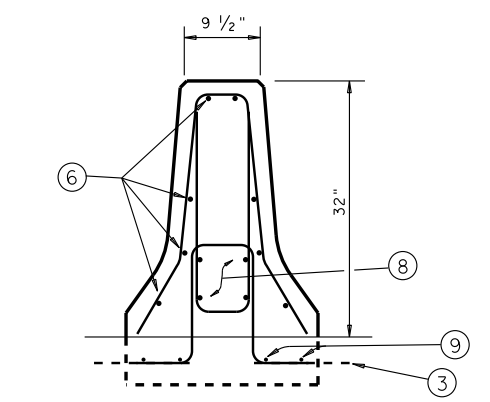
DATE: FILE:



END VIEW
Showing typical end at Barrier Gate and Anchor locations

TRANSITION BARRIER TO CSB (32") EACH END OF BARRIER GATE

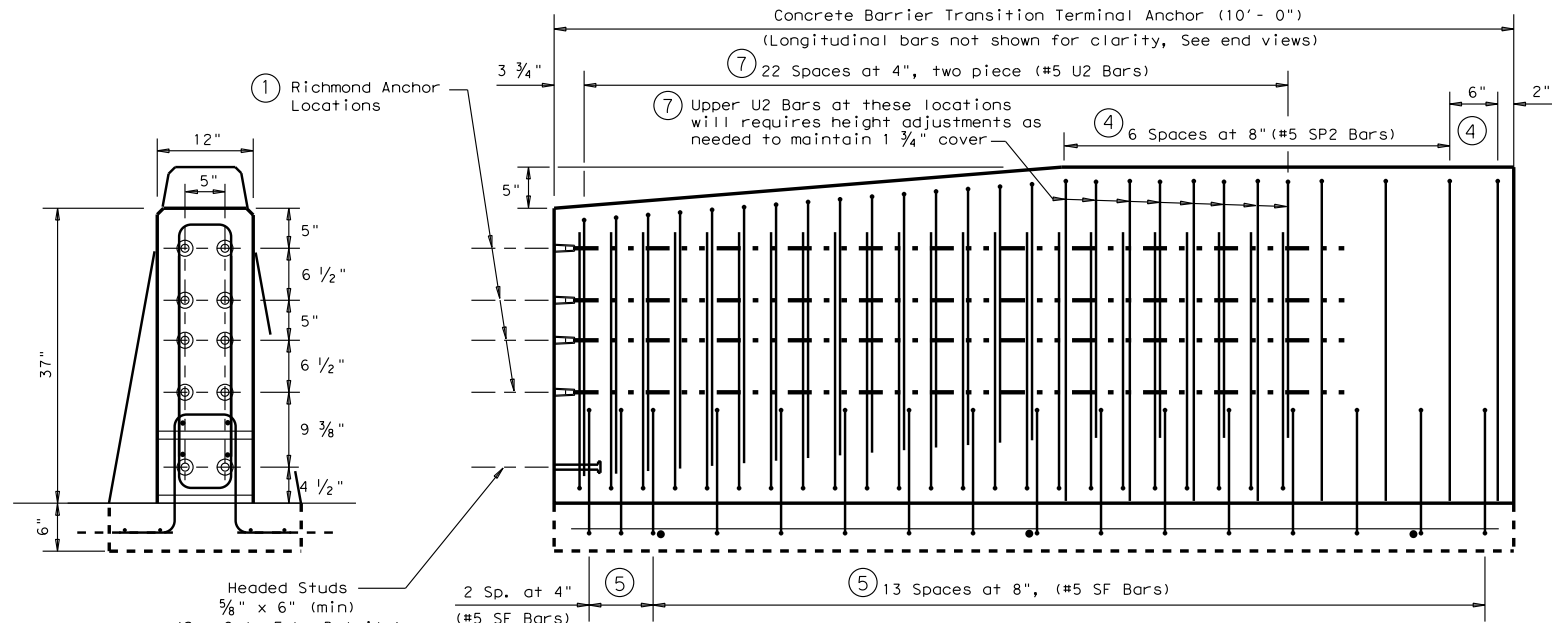
Showing the required barrier reinforcement. (See End Views for longitudinal bar placement)



Note: Showing longitudinal reinforcement. (See Barrier transition table)

END VIEW

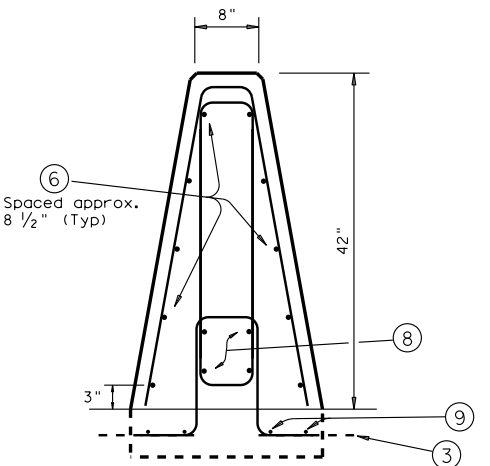
Showing transition end to standard CSB barrier.



END VIEW
Showing typical end at Barrier Gate and Anchor locations

TRANSITION BARRIER TO SSCB (42") EACH END OF BARRIER GATE

Showing the required barrier reinforcement. (See End Views for longitudinal bar placement)



Note: Showing longitudinal reinforcement. (See Barrier transition table)

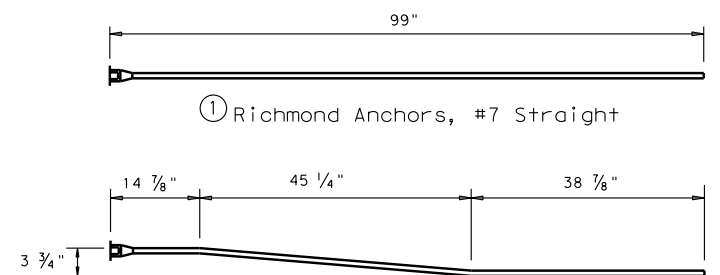
END VIEW

Showing transition end to standard SSCB barrier.

TRANSITION TO (32") CSB		
#	BARRIER TRANSITION REINFORCEMENT TABLE	QTY
1	Richmond Anchors, #7 Straight	12
2	Richmond Anchors, #7 Bent	4
3	Rebar, #5 x 12" Long	12
4	SP-Bar, #5	16
5	SF-Bar, #5	32
6	Rebar, #5 x 57" Long	16
7	U-Bar, #5	76
8	Rebar, #5 x 93" Long	8
9	Rebar, #4 x 116" Long	8

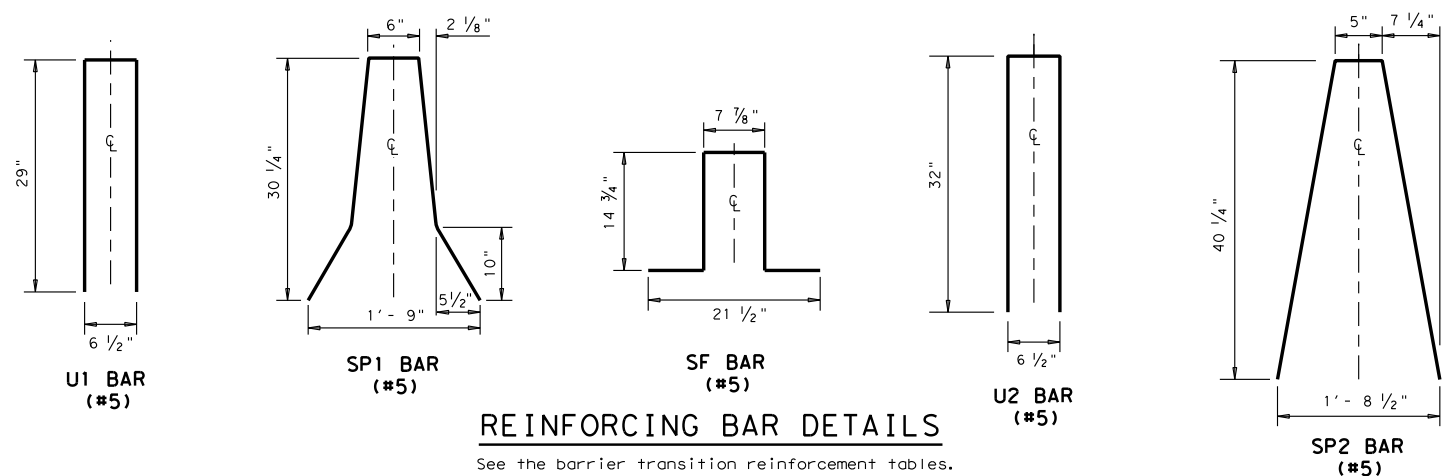
TRANSITION TO (42") SSCB		
#	BARRIER TRANSITION REINFORCEMENT TABLE	QTY
1	Richmond Anchors, #7 Straight	16
3	Rebar, #5 x 12" Long	12
4	SP2 Bar, #5	16
5	SF Bar, #5	32
6	Rebar, #5 x 57" Long	20
7	U2 Bar, #5	76
8	Rebar, #5 x 93" Long	8
9	Rebar, #4 x 116" Long	8

Note: Use 2" Bending pin on all bends



2 Richmond Anchors, #7 Bent

RICHMOND ANCHORS



REINFORCING BAR DETAILS

See the barrier transition reinforcement tables.

		Design Division Standard	
<h1>BARRIER GATE</h1> <h2>BG-11</h2>			
FILE: bg11.dgn	DN: TxDOT	CK: AM	DW: BD
© TxDOT April 2011	CONT SECT	JOB	HIGHWAY
REVISIONS		DIST	SHEET NO.