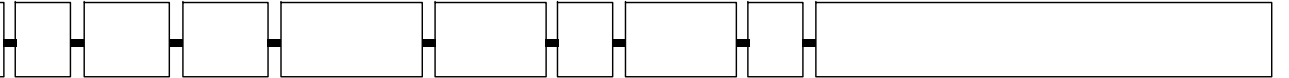
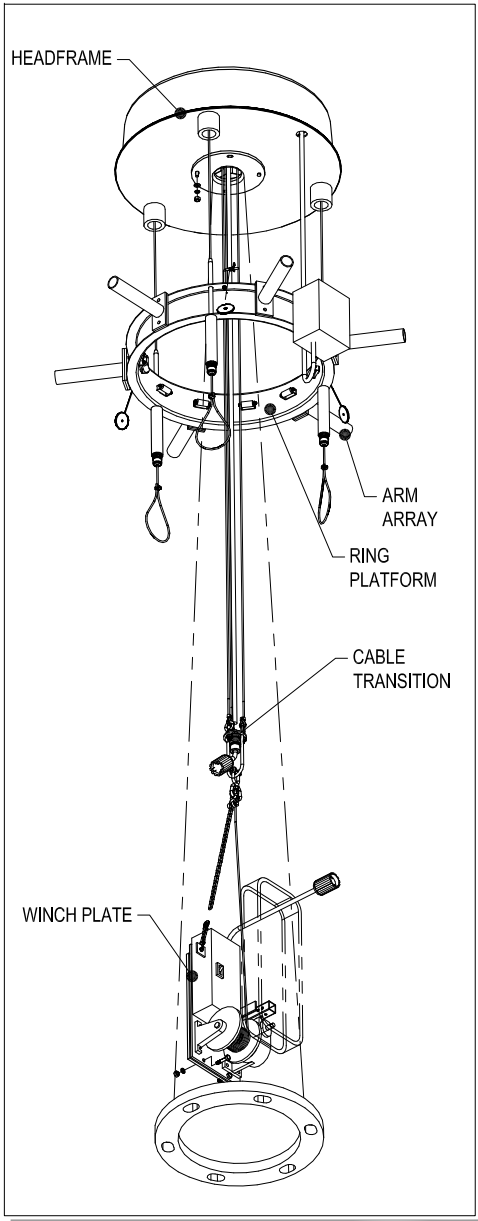


**BOTTOM LATCHING EXTERNAL DRIVE 2060**



**NO. OF CIRCUITS**  
 1  
 2  
 3  
 ETC..

**FIXTURE COUNT**  
 02 = 2  
 03 = 3  
 04 = 4  
 ETC...  
 12 = 12

**FIXTURE TYPE**  
 FL = FLOOD  
 HM = HIGH MAST  
 SP = SPORTS  
 OT = OTHER

**LAMP TYPE**  
 040H = 400 WATT HIGH PRESSURE SODIUM (HPS)  
 040M = 400 WATT METAL HALIDE  
 040R = 400 WATT HPS W/ MAGNET REGULATED BALLAST  
 075H = 750 WATT HPS  
 100H = 1000 WATT HPS  
 100M = 1000 WATT METAL HALIDE  
 150M = 1500 WATT METAL HALIDE  
 165M = 1650 WATT METAL HALIDE  
 200M = 2000 WATT METAL HALIDE

**SERVICE TO FIXTURE**  
 120 = 120 VOLT  
 208 = 208 VOLT  
 240 = 240 VOLT  
 277 = 277 VOLT  
 347 = 347 VOLT  
 480 = 480 VOLT

**SERVICE TO POLE**  
 A = 120 VOLT SINGLE PHASE 3-WIRE  
 B = 120/240 VOLT THREE PHASE 5-WIRE  
 C = 208 VOLT SINGLE PHASE 3-WIRE  
 D = 208 VOLT THREE PHASE 4-WIRE  
 E = 240 VOLT SINGLE PHASE 3-WIRE  
 F = 120/240 VOLT SINGLE PHASE 4-WIRE  
 G = 240/480 VOLT SINGLE PHASE 4-WIRE  
 H = 277 VOLT SINGLE PHASE 3-WIRE  
 J = 277/480 VOLT THREE PHASE 5-WIRE  
 K = 480 VOLT SINGLE PHASE 3-WIRE  
 L = 480 VOLT THREE PHASE 4-WIRE  
 M = 347 VOLT SINGLE PHASE 3-WIRE  
 N = 347/600 VOLT THREE PHASE 5-WIRE  
 X = OTHER

**MOUNT HEIGHT**  
 050 = 50 FT  
 060 = 60 FT  
 ETC...  
 150 = 150FT  
 10M = 10 METER  
 15M = 15 METER

**CABLE SYSTEM**  
 LR = LIGHTING ROD  
 LAR = LIGHTING ARRESTOR, RING MOUNTED  
 LAC = LIGHTNING ARRESTOR, CIRCUIT BREAKER  
 AR1 = AIRCRAFT WARNING LIGHT (SINGLE)  
 AR2 = AIRCRAFT WARNING LIGHT (DOUBLE)  
 AR3 = AIRCRAFT WARNING LIGHT (DOUBLE W/ RELAY)  
 RPC = PHOTO CONTROL, RING MOUNTED  
 WCG = WINCH CABLE GUARD  
 HSS = HOIST SHEAVES, STAINLESS STEEL  
 HZP = HOIST SHEAVES, ELECTRO-PLATED STEEL  
 CCT = CLOSED CAPTION TELEVISION PROVISION  
 ENC = ENCLOSED RING WIREWAY  
 PDU = PORTABLE DRIVE UNIT  
 PWU = PORTABLE WINCH UNIT

**OPTIONS**  
 A = 3/16 HOIST, 1/4 WINCH, GALVANIZED  
 B = 1/4 HOIST, 5/16 WINCH, GALVANIZED  
 C = 3/16 HOIST, 5/16 WINCH, GALVANIZED  
 D = 3/16 HOIST, 1/4 WINCH, STAINLESS STEEL (SS)  
 E = 1/4 HOIST, 5/16 WINCH, SS  
 F = 3/16 HOIST, 5/16 WINCH, SS  
 G = 3/16 HOIST, 1/4 WINCH, GALV, MOBILE DRIVE PLATFORM (MDP)  
 H = 3/16 HOIST, 1/4 WINCH, SS, MDP  
 J = 1/4 HOIST, 5/16 WINCH, GALV, MDP  
 K = 1/4 HOIST, 5/16 WINCH, SS, MDP

Drawing Date:

Initials:

Project Information:

Project Information:

Identification Information:

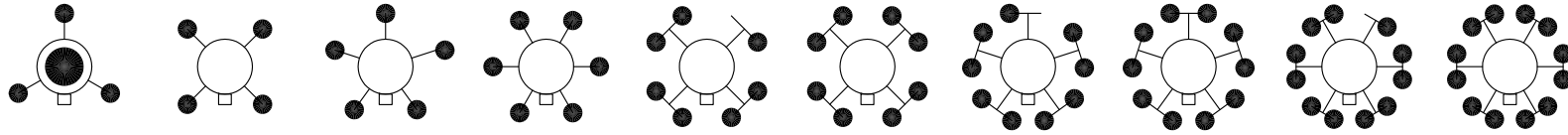
Quantity:

Contact Information:

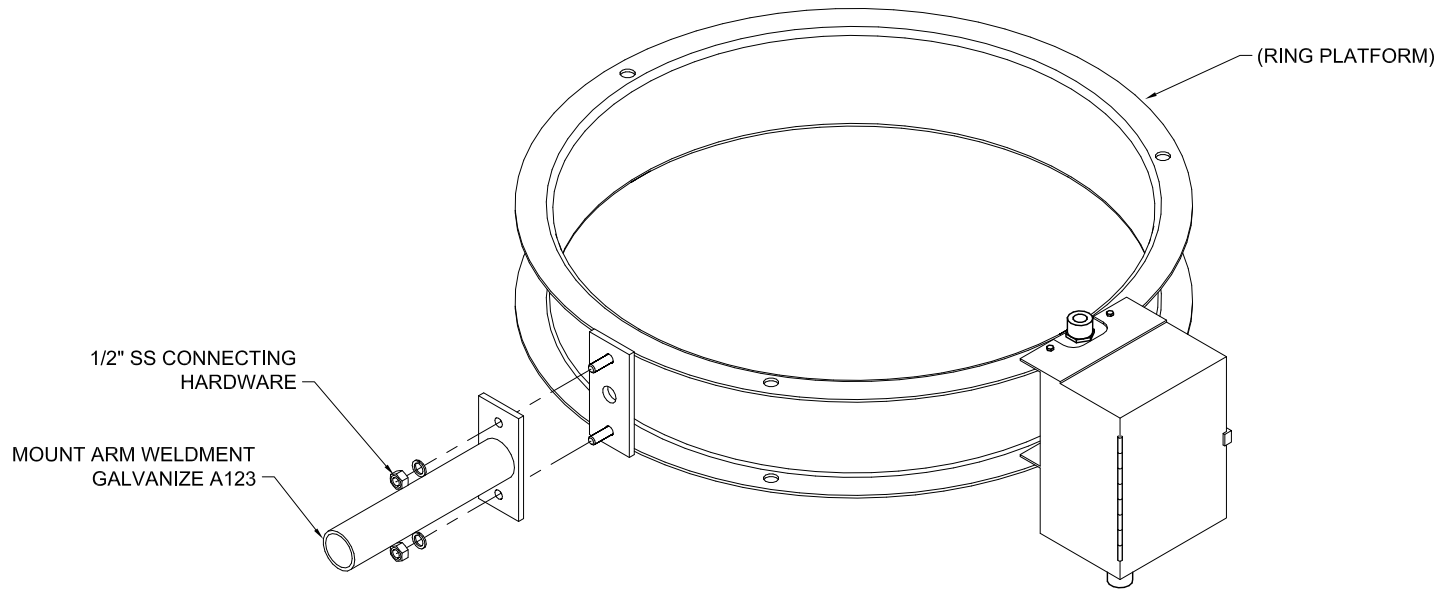


# ARM ARRAY

(1060, 1070, 1080, 2060, 2070)



ARM ARRAY OPTIONS



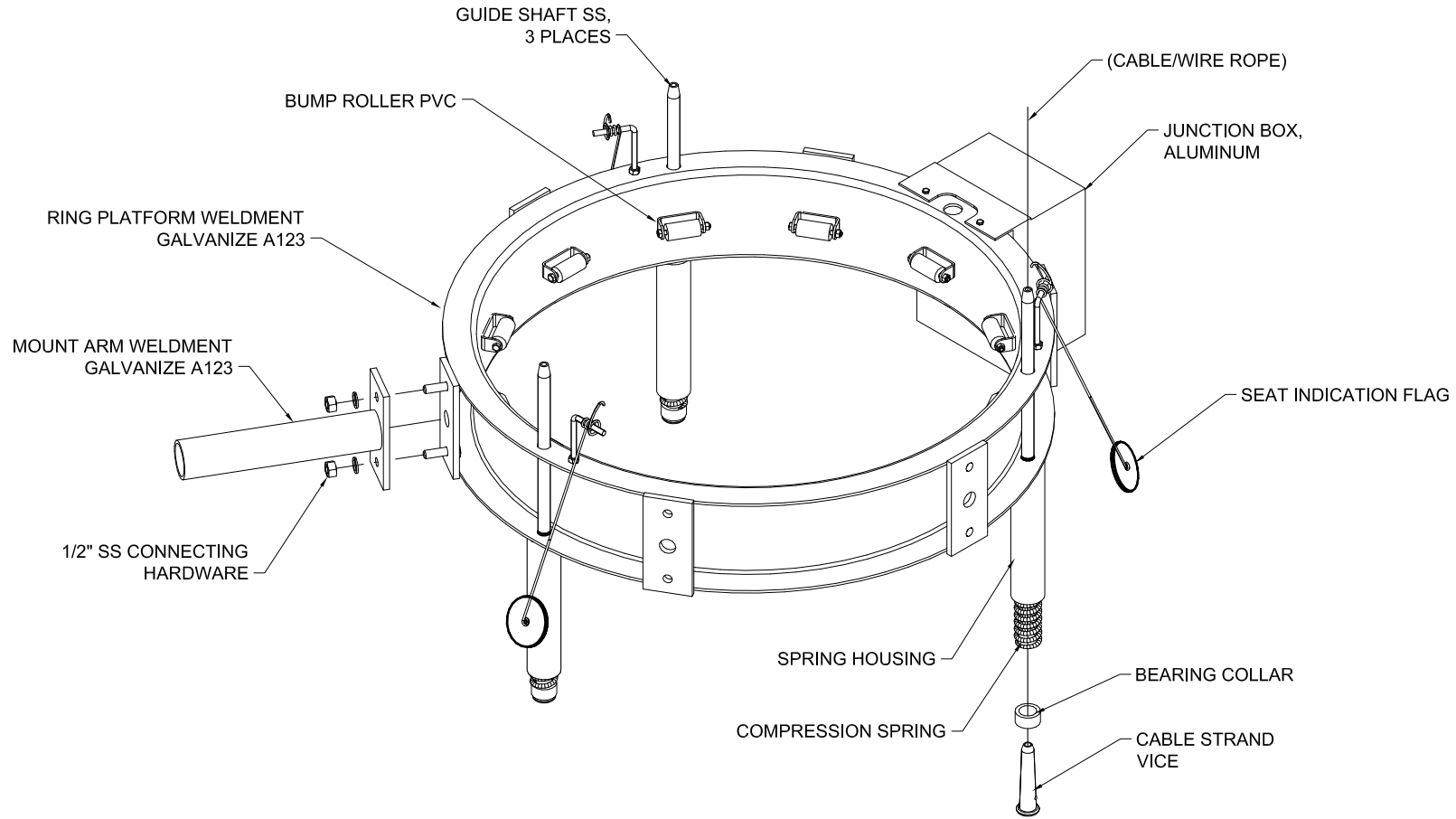
Identification Information:

Quantity:



# RING PLATFORM (BOTTOM LATCH)

(2060, 2070)



### NOTES:

1. RING CAN BE CONFIGURED WITH 2 TO 6 MOUNT POSITION TO ACCOMODATE UP TO 12 LIGHT FIXTURES.
2. ALL HARDWARE/FASTENERS ARE STAINLESS STEEL.
3. JUNCTION BOX IS PREWIRED.

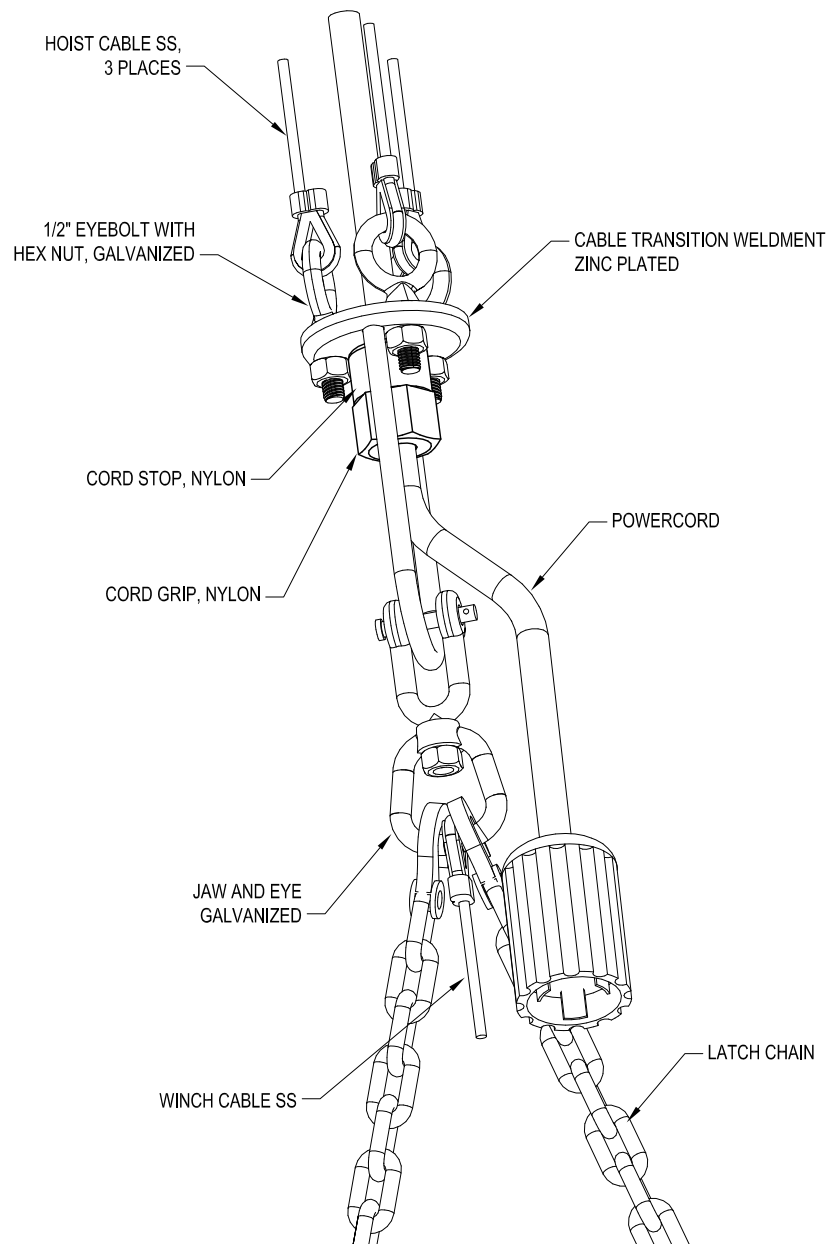


Identification Information:

Quantity:

# CABLE TRANSITION (BOTTOM LATCH)

(2060, 2070)

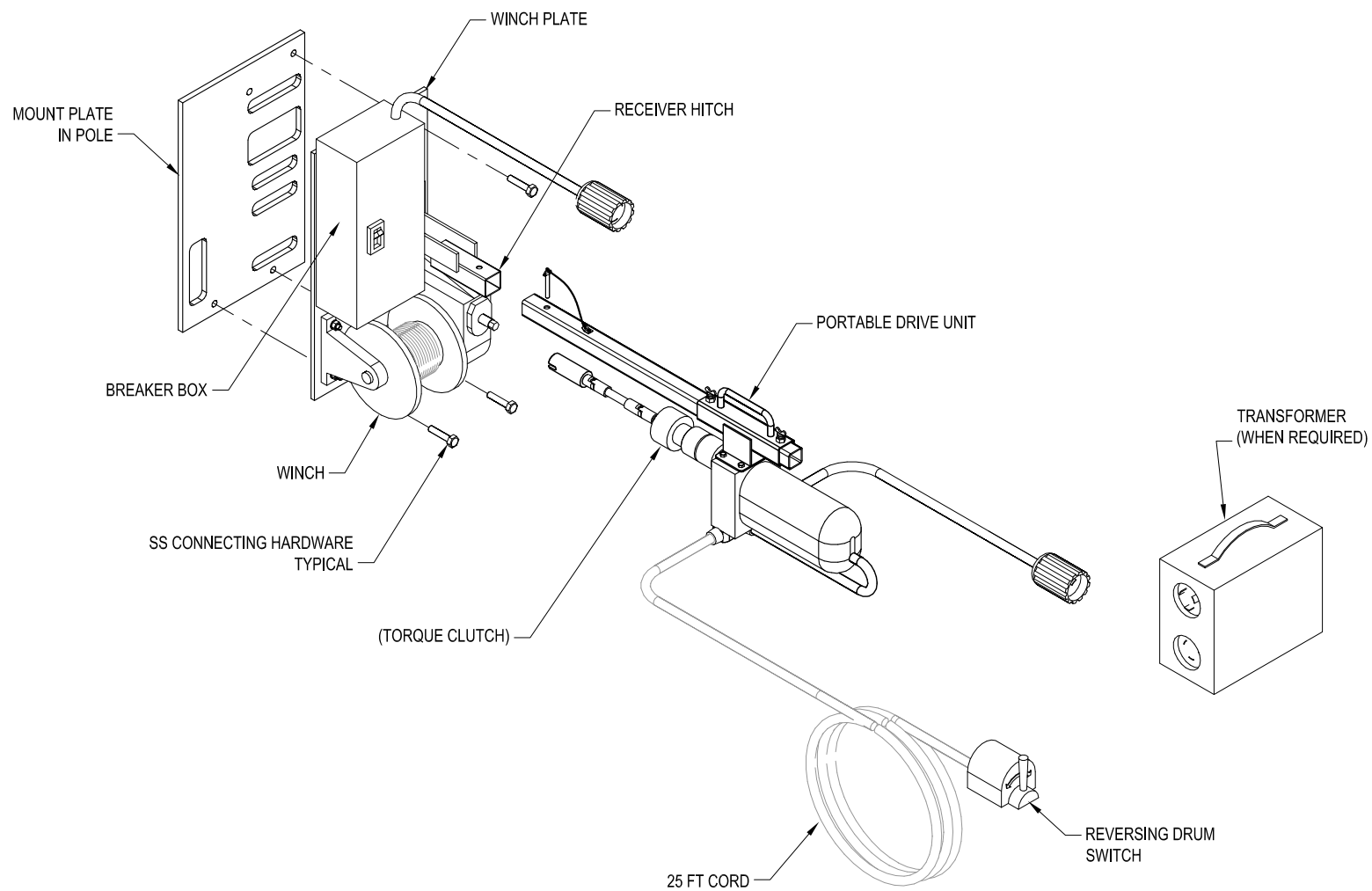


Identification Information:

Quantity:

# WINCH PLATE

(1060, 2060)



Identification Information:

Quantity: