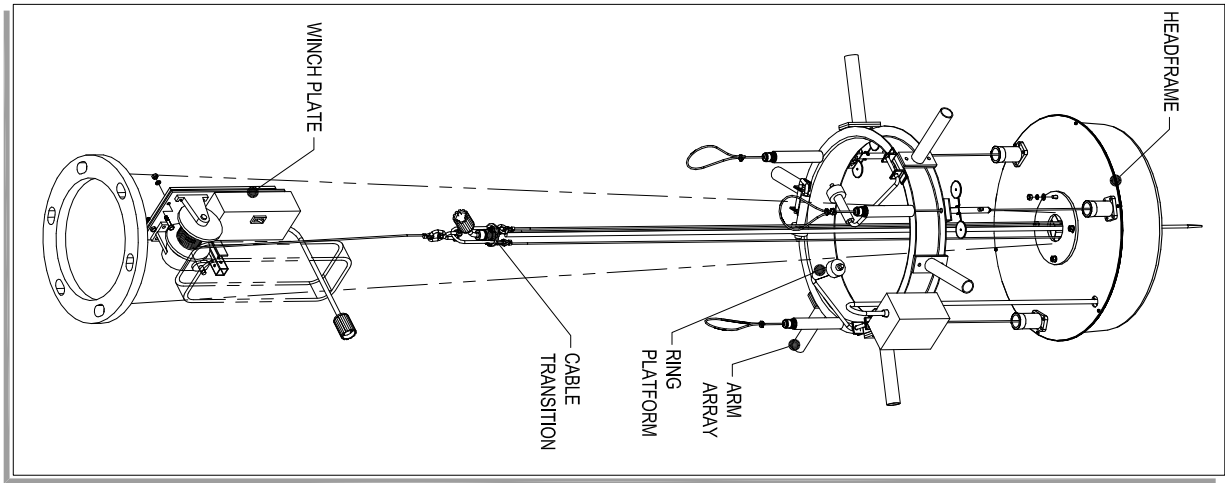


TOP LATCHING  
EXTERNAL DRIVE

**1060**



NO. OF CIRCUITS:

FIXTURE COUNT:

FIXTURE TYPE:

LAMP TYPE:

SERVICE TO FIXTURE:

SERVICE TO POLE:

MOUNT HEIGHT:

CABLE SYSTEM:

OPTIONS:

1  
2  
3  
ETC..

02 = 2  
03 = 3  
04 = 4  
ETC..  
12 = 12

FL = FLOOD  
HM = HIGH MAST  
SP = SPORTS  
OT = OTHER

120 = 120 VOLT  
208 = 208 VOLT  
240 = 240 VOLT  
277 = 277 VOLT  
347 = 347 VOLT  
480 = 480 VOLT

040H = 400 WATT HIGH PRESSURE SODIUM (HPS)  
040M = 400 WATT METAL HALIDE  
040R = 400 WATT HPS W/ MAGNET REGULATED BALLAST  
075H = 750 WATT HPS  
100H = 1000 WATT HPS  
100M = 1000 WATT METAL HALIDE  
150M = 1500 WATT METAL HALIDE  
165M = 1650 WATT METAL HALIDE  
200M = 2000 WATT METAL HALIDE

A = 120 VOLT SINGLE PHASE 3-WIRE  
B = 120/240 VOLT THREE PHASE 5-WIRE  
C = 208 VOLT SINGLE PHASE 3-WIRE  
D = 208 VOLT THREE PHASE 4-WIRE  
E = 240 VOLT SINGLE PHASE 3-WIRE  
F = 120/240 VOLT SINGLE PHASE 4-WIRE  
G = 240/480 VOLT SINGLE PHASE 4-WIRE  
H = 277 VOLT SINGLE PHASE 3-WIRE  
J = 277/480 VOLT THREE PHASE 5-WIRE  
K = 480 VOLT SINGLE PHASE 3-WIRE  
L = 480 VOLT THREE PHASE 4-WIRE  
M = 347 VOLT SINGLE PHASE 3-WIRE  
N = 347/600 VOLT THREE PHASE 5-WIRE  
X = OTHER

050 = 50 FT  
060 = 60 FT  
ETC..  
150 = 150 FT  
10M = 10 METER  
15M = 15 METER

A = 3/16 HOIST, 1/4 WINCH, GALVANIZED  
B = 1/4 HOIST, 5/16 WINCH, GALVANIZED  
C = 3/16 HOIST, 5/16 WINCH, GALVANIZED  
D = 3/16 HOIST, 1/4 WINCH, STAINLESS STEEL (SS)  
E = 1/4 HOIST, 5/16 WINCH, SS  
F = 3/16 HOIST, 5/16 WINCH, SS  
G = 3/16 HOIST, 1/4 WINCH, GALV. MOBILE DRIVE PLATFORM (MDP)  
H = 3/16 HOIST, 1/4 WINCH, SS, MDP  
J = 1/4 HOIST, 5/16 WINCH, GALV. MDP  
K = 1/4 HOIST, 5/16 WINCH, SS, MDP

LR = LIGHTING ROD  
LAR = LIGHTING ARRESTOR, RING MOUNTED  
LAC = LIGHTNING ARRESTER, CIRCUIT BREAKER  
AR1 = AIRCRAFT WARNING LIGHT (SINGLE)  
AR2 = AIRCRAFT WARNING LIGHT (DOUBLE)  
AR3 = AIRCRAFT WARNING LIGHT (DOUBLE W/ RELAY)  
RPC = PHOTO CONTROL, RING MOUNTED  
WCG = WINCH CABLE GUARD  
HSS = HOIST SHEAVES, STAINLESS STEEL  
HSP = HOIST SHEAVES, ELECTRO-PLATED STEEL  
CCT = CLOSED CAPTION TELEVISION PROVISION  
ENC = ENCLOSED RING WIREWAY  
PDU = PORTABLE DRIVE UNIT  
PWU = PORTABLE WINCH UNIT

Drawing Date:

Initials:

Project Information:

Project Information:

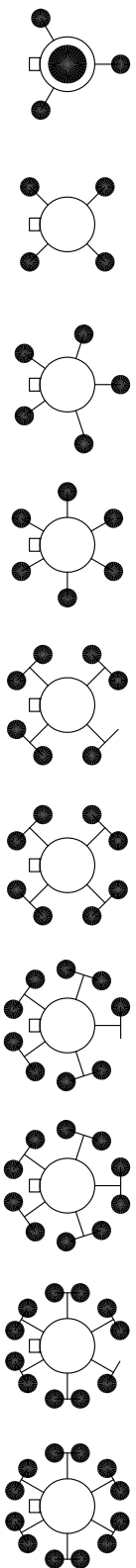
Identification Information:

Quantity:

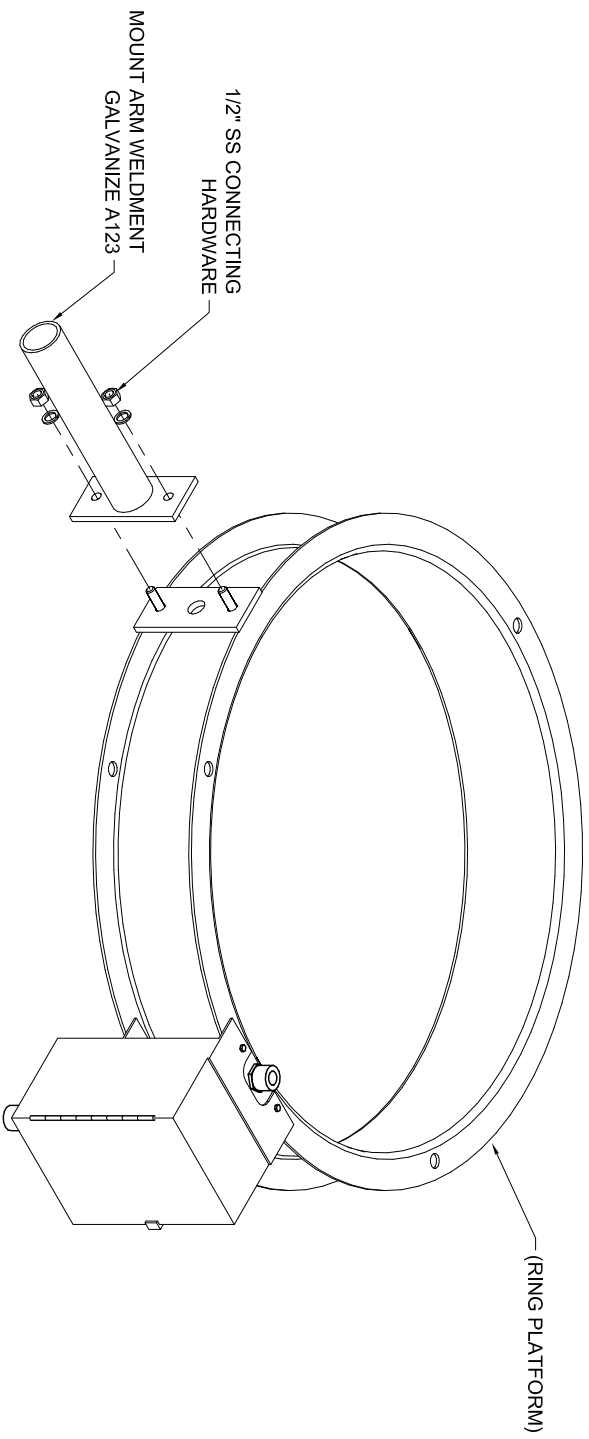


# ARM ARRAY

(1060, 1070, 1080, 2060, 2070)



## ARM ARRAY OPTIONS

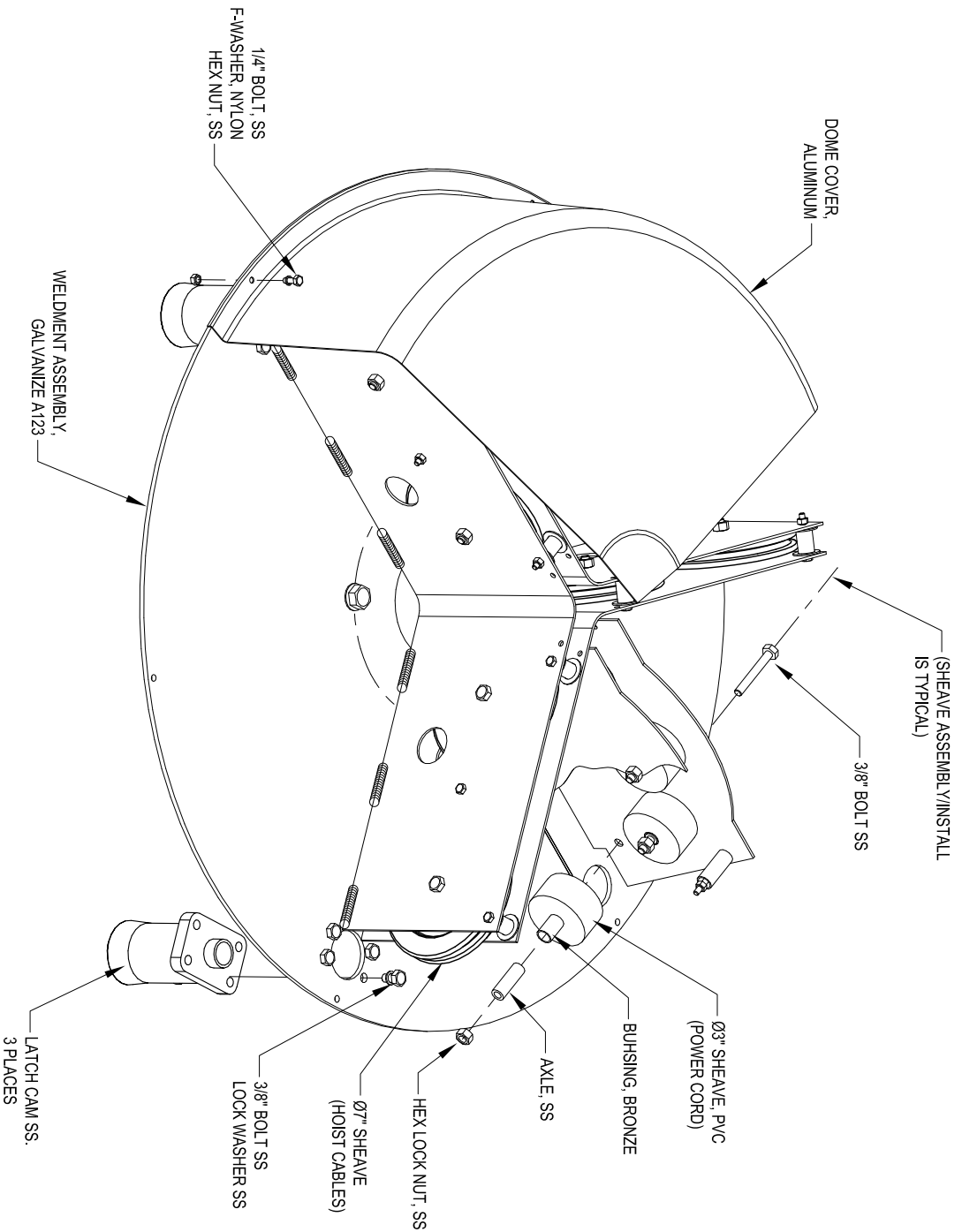


Identification Information:

Quantity:

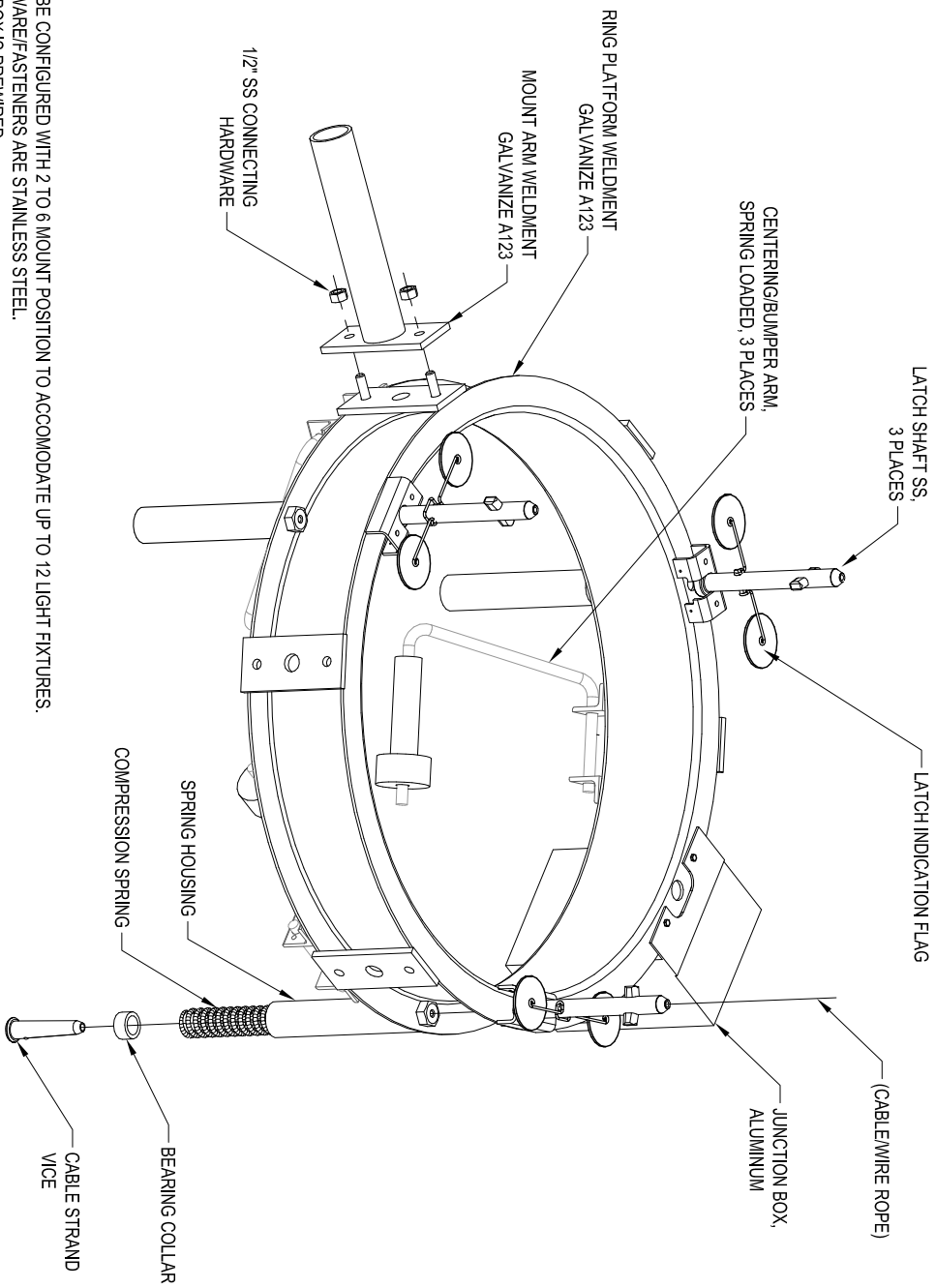
# HEADFRAME (TOP LATCH)

(1060, 1070, 1080)



# RING PLATFORM (TOP LATCH)

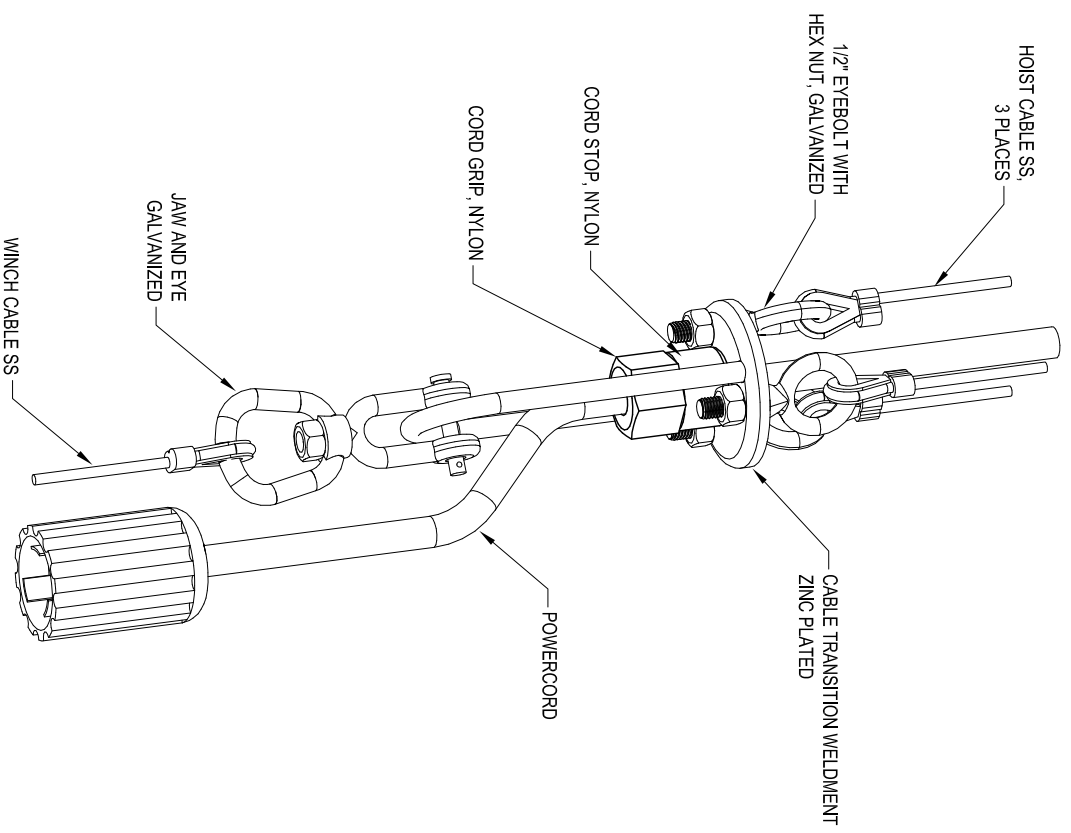
(1060, 1070, 1080)



- NOTES:
1. RING CAN BE CONFIGURED WITH 2 TO 6 MOUNT POSITION TO ACCOMMODATE UP TO 12 LIGHT FIXTURES.
  2. ALL HARDWARE/FASTENERS ARE STAINLESS STEEL.
  3. JUNCTION BOX IS PREWIRED.

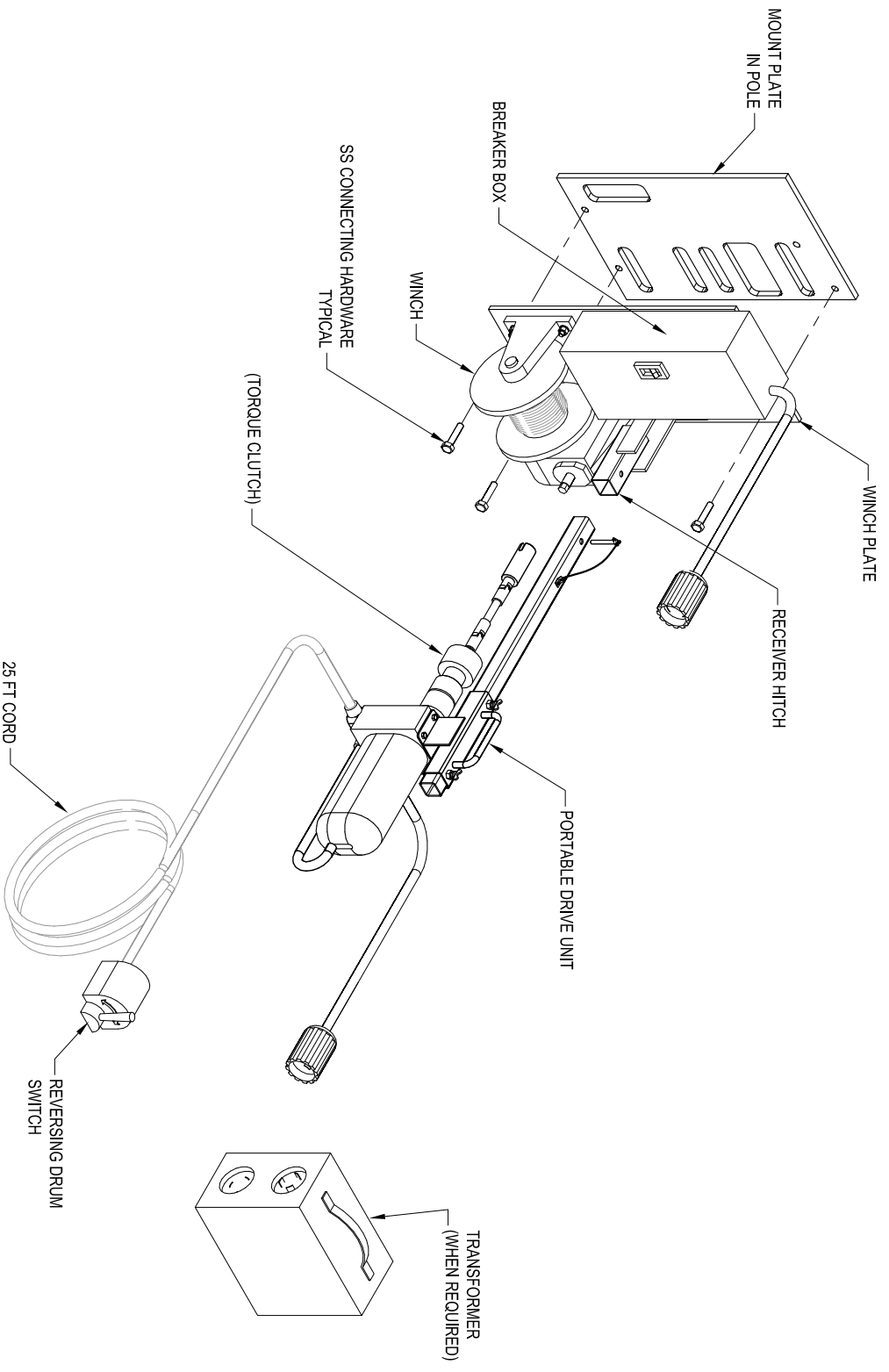
# CABLE TRANSITION (TOP LATCH)

(1060, 1070, 1080, 3070)



Identification Information:

Quantity:



Identification Information:

Quantity: